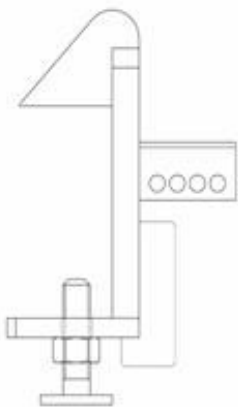
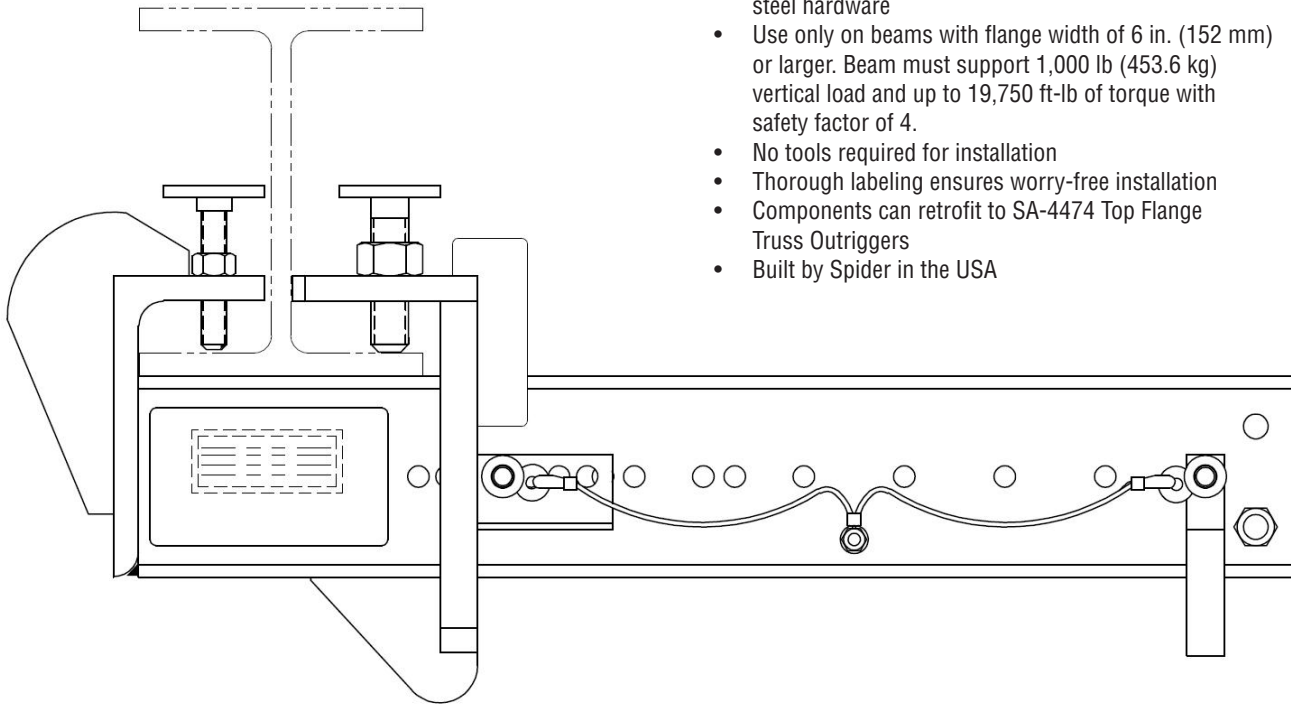


# Bottom Flange Truss Outrigger (702554-1)

*The Bottom Flange Truss Outrigger expands ability to mount to bottom flange of beams when unable to rig from the top flange.*

### Key Features:

- Heavy duty steel construction with stainless steel hardware
- Use only on beams with flange width of 6 in. (152 mm) or larger. Beam must support 1,000 lb (453.6 kg) vertical load and up to 19,750 ft-lb of torque with safety factor of 4.
- No tools required for installation
- Thorough labeling ensures worry-free installation
- Components can retrofit to SA-4474 Top Flange Truss Outriggers
- Built by Spider in the USA



**Want to retrofit an SA-4474? Order 702692-1 for bracket at left. See Service Instructions for details.**

<b>Specifications:</b>	<b>702554-1</b>
<b>Load Rating:</b>	1,000 lb (453.6 kg)
<b>Weight:</b>	38 lb (17.2 kg)
<b>Minimum Flange:</b>	6 in. (152 mm) inside
<b>Outreach:</b>	3 in. (76 mm) minimum or 15.2 in. (386 mm) maximum at 6 in. (152 mm) flange size

**Call or click for more information**  
**1-877-774-3370**  
**[www.spiderstaging.com](http://www.spiderstaging.com)**