

NOTES:

101. USE OF SUSPENDED SCAFFOLDING MUST COMPLY WITH OSHA 29 CFR 1926.451(f) AND ANY APPLICABLE LOCAL REGULATIONS.

102. SUSPENDED SCAFFOLD RIGGING AND TIEBACKS MUST COMPLY WITH OSHA 29 CFR 1926.451(a) AND 1926.451(d) AND ANY APPLICABLE LOCAL REGULATIONS.

103. SUPPORTING STRUCTURE MUST HOLD LOADS SHOWN WITHOUT FAILURE. LOADS SHOWN WERE CALCULATED AT 4 TIMES HOIST RATED CAPACITY.

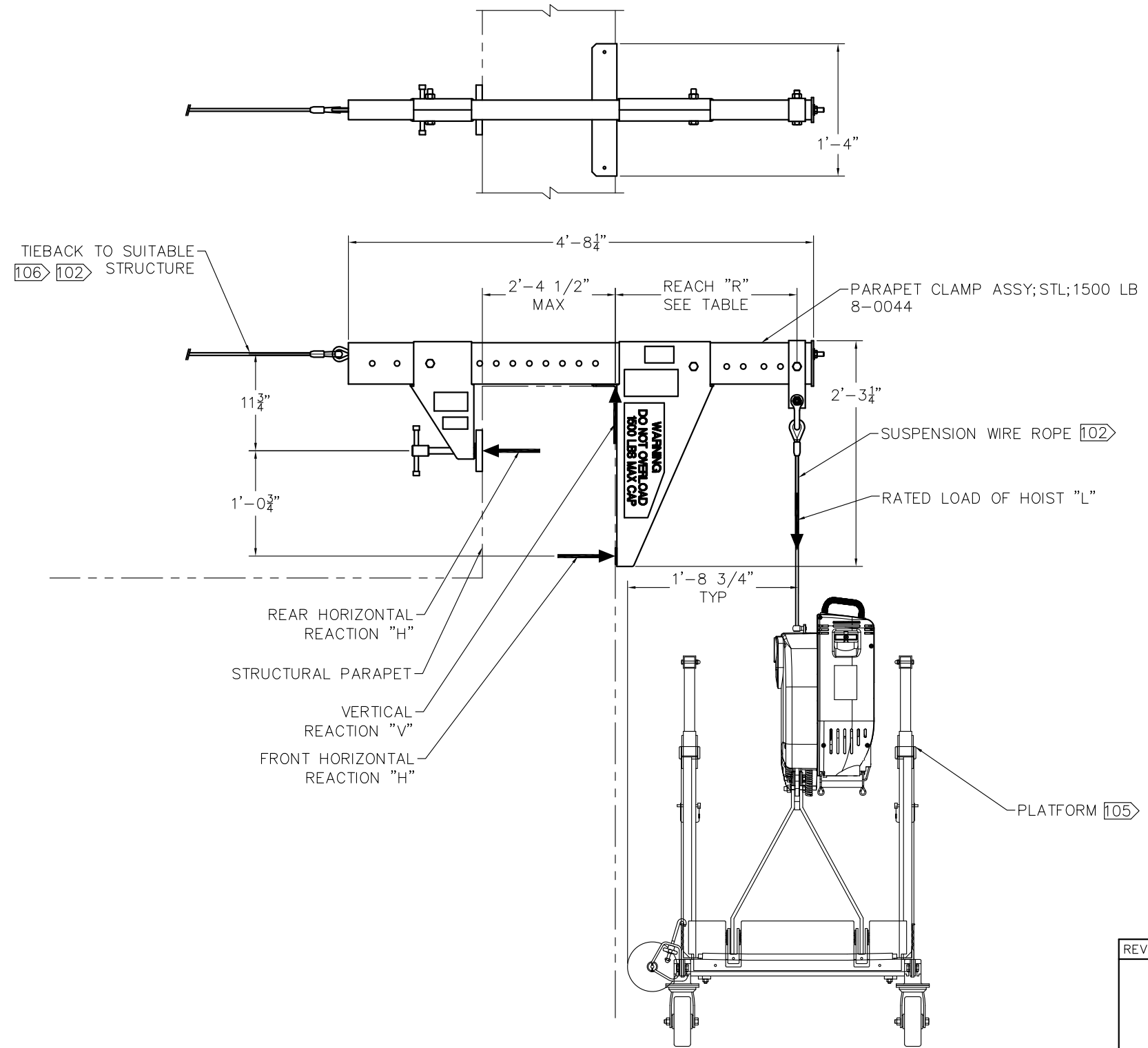
104. 52 LB APPROXIMATE WEIGHT


105. SEE DRAWINGS GA1001, GA1002 & GA1003 FOR DETAILS OF TYPICAL PLATFORM ASSEMBLES

106. TYPICAL TIEBACK DETAILS ON GA1014, GA1015 & GA1016 & GA1016

103

REACH	1000 LB HOIST		1250 LB HOIST		1500 LB HOIST		
	R (FT-IN)	V (LB)	H (LB)	V (LB)	H (LB)	V (LB)	H (LB)
1'-1 1/2"		4000	4240	5000	5300	6000	6360
1'-2"		4000	4400	5000	5500	6000	6590
1'-3 1/2"		4000	4870	5000	6080	6000	7300
1'-4"		4000	5020	5000	6280	6000	7530
1'-5 1/2"		4000	5500	5000	6870	6000	8240
1'-6"		4000	5650	5000	7060	6000	8480
1'-8"		4000	6280	5000	7850	6000	9420
1'-10"		4000	6910	5000	8630	6000	10360
2'-0"		4000	7530	5000	9420	6000	11300



REV 1	ECO	BETA RELEASED	DATE 4/19/2013	BYTSM/CKJTA
 A Division of SafeWorks, LLC			MATERIAL: -	
			THIS DRAWING IS THE PROPERTY OF SAFEWORKS, LLC. AND IS NOT TO BE COPIED OR REPRODUCED WITHOUT THE WRITTEN CONSENT OF SAFEWORKS, LLC.	
DRAWN BY TSM			DATE 4/11/2013	TITLE PARAPET CLAMP 8-0044
ENG JTA			SCALE D 1:8	DRAWING NUMBER GA1005
				1 OF 1