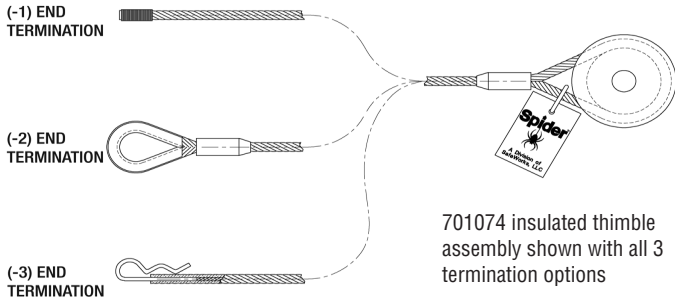


Insulated Thimbles

For use in insulated thimble assemblies
Nylon insulated thimble; 5/16 in. (8 mm)
Complies with OSHA Standard 29 CFR 1926.451 (f) (17)



Part Number	Description	Length
4897	Insulator Assy; Wire Rope	30 in. (762 mm)
701074-1	Insulated Thimble Assy; Seize End	30 ft (9.1 m)
701074-2	Insulated Thimble Assy; Thimble End	1.25 ft (0.38 m)
701074-3	Insulated Thimble Assy; Clip	30 ft (9.1 m)



701074-1



701074-2



701074-3

SC1000 and Zmac/1000® Arc Guard Kit (701301-2)



Also Available:
Traction Hoist Arc Guard Kit For
SC30/SC40 (701301-1)

Wire Rope Insulator Assembly (4897)

Plastic dipped porcelain
insulator assembly



**Need help understanding the OSHA
codes regarding welding from
suspended platforms?**

**Request our flyers on welding by calling
our professionals at 877-774-3370**

Safety Welding Ground (701151-1)



Provides additional ground between the suspended
platform and the structure as required by OSHA for
welding applications.

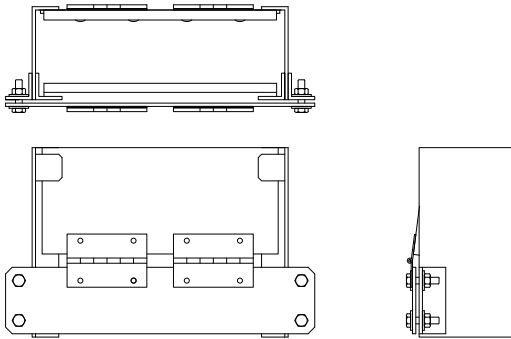
Specifically complies with OSHA Standard 29 CFR
1926.451 (f) (17)

- Large handle speeds magnet removal and relocation.
- Kellums grips prevent clamp from accidentally detaching from platform.
- Built by Spider in the USA
- * Verify with carrier if this can be transported by air freight

Arc Guard Kits



Top Arc Guard 4485



Bottom Arc Guard 700947-1

SA-1083-x: Kits include 4485 Top Assembly pictured at left, a 1581 Mid Assembly and a 700947-1 Bottom Arc Guard Assembly.

1581: Split tube assembly with Velcro closures to wrap around a wire rope

The top end of this assembly has two chains with hooks to attach to a hoist. This arc guard assembly can be used in the welding application to guard against contact from the hoist tail line and the platform.

Complies with OSHA Standard 29 CFR 1926.451 (f) (17)

SA-1083: 9 in. (229 mm) drum
500 ft (152 m) of wire rope

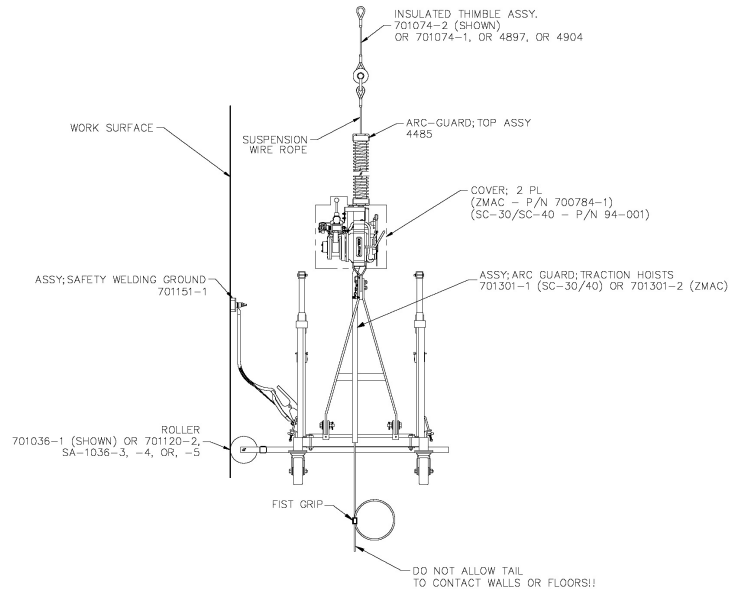
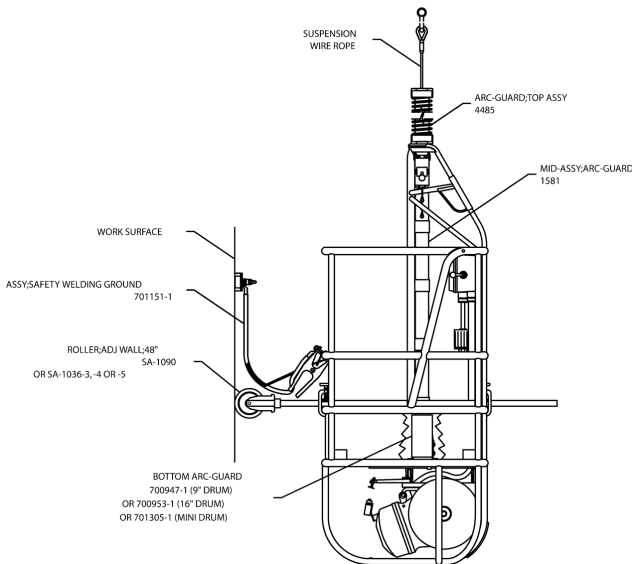
SA-1083-1000: 16 in. (406 mm) drum
1,000 ft (305 m) of wire rope

SA-1083-26: For ST-26 Mini Drum
235 ft (71.6 m) of wire rope

Welding Arc Guard (4485): top guard used with the SA-1083, SA-1083-1000 and SA-1083-26 kits



INSULATED THIMBLE ASSY.
701074-2 (SHOWN)
OR 701074-1, 4897 OR 4904



Wire Rope Insulation & Welding Accessories

Part Number	Description	Function	Key Features	Used With	Component of Assembly
4485	Top Assembly Arc Guard	Protects wire rope above fairlead on drum hoist or above traction hoists	<ul style="list-style-type: none"> 3 in. (76 mm) ID Durable Rubber Hose encloses wire rope Extends 4 ft (1.2 m) above hoist Compresses to allow travel up to rigging point Installs easily with no tools 	All Drum & Traction Hoists	SA-1083
1581	Mid-Assembly Arc Guard	Protects wire rope between fairlead and bottom arc guard	<ul style="list-style-type: none"> Encloses 3.3 ft (1 m) length of wire rope between fairlead and deck of drum hoist Can be used with traction hoists with minor modification Velcro fasteners make installation fast and easy 	All Drum & Traction Hoists	SA-1083
700947-1 [500 ft (152.4 m) drum hoists] 700953-1 [1000 ft (304.8 m) drum hoists] 701305-1 [235 ft (71.6 m) drum hoists]	Bottom Arc Guard	Protects wire rope as it spools on drum	<ul style="list-style-type: none"> Heavy duty enclosure protects wire rope passing through deck to drum below Time-tested design Includes front and rear guards and mounting hardware 	Drum Hoists: ST-17, ST-180, ST-19, ST-26	700947-1 is in SA-1083 700953-1 is in SA-1083-1000
701301-1	Arc Guard Assembly, SC30/SC40	Protects wire rope exiting hoist	<ul style="list-style-type: none"> Attaches to end stirrup or walk thru stirrup to protect tail line Includes mounting clips Model for SC1000/SC1500 available on request 	Traction Hoists: SC30/SC40	
701301-2	Arc Guard Assembly, ZMAC/1000®	Protects wire rope exiting hoist	<ul style="list-style-type: none"> Attaches to ZMAC/1000® or walk thru stirrup to protect tail line Includes mounting clips Tubing encloses wire rope and extends 3.3 ft (1 m) below hoist 	Traction Hoists: ZMAC/1000®, SC1000	
4897	Wire Rope Insulator Assembly	Insulates wire rope from rigging point	<ul style="list-style-type: none"> Plastic dipped porcelain insulator assembly Total length: 31 ft. (9.5 m) Time-tested design 	All Drum & Traction Hoists	
4904	Wire Rope Insulator Assembly	Insulates wire rope from rigging point when penetration size does not accommodate standard 4897 fittings	<ul style="list-style-type: none"> Plastic dipped porcelain insulator assembly Total length: 31 ft. (9.5 m) Time-tested design 	All Drum & Traction Hoists	
701074-2	Insulated Thimble Assembly, 1.25 ft (0.38 m) length	Insulates wire rope from rigging point	<ul style="list-style-type: none"> Tested to withstand 600V For use with hoists up to 1,500 lb. (680.4 kg) load capacity Assembly length allows travel within 1.25 ft (0.38 m) of rigging point No Fist Grips needed Fully exposed wire rope makes inspection fast and easy 	All Drum & Traction Hoists	
701074-1	Insulated Thimble Assembly, 30 ft (9.1 m) length	Insulates wire rope from rigging point	<ul style="list-style-type: none"> Tested to withstand 600V For use with hoists up to 1,500 lb. (680.4 kg) load capacity Assembly length allows travel within 30 ft (9.1 m) of rigging point 	All Drum & Traction Hoists	
701108-xxx xxx-shows length, available in 25 ft (7.6 m) increments	Insulated Wire Rope Assembly	With biscuit style insulator in assembly, insulates wire rope from rigging point	<ul style="list-style-type: none"> Includes 8.4 mm insulated thimble 5/16 in. (8 mm) 6x19 XIP FC construction Min. breaking strength: 9,380 lb (4,254.7 kg) Min. length: 150 ft (45.7 m) Flemish eye splice with swaged steel sleeve Swaged, forged cable drum hook 	Drum Hoists: ST-17, ST-180, ST-19, ST-26, LSR1	
701118-xxx xxx shows length, available in 25 ft (7.6 m) increments	Insulated Wire Rope Assembly	With biscuit style insulator in assembly, insulates wire rope from rigging point	<ul style="list-style-type: none"> Includes 8.4 mm insulated thimble 5/16 in. (8 mm) 6x19 XIP IWRC construction Min. breaking strength: 10,540 lb (4,780.9 kg) Flemish eye splice with swaged steel sleeve Tapered brazed bullet 	Traction Hoists: SC30/40, SC1000/1500, ZMAC/1000®	
P-00146-1	3/8 in. (10 mm) Wedge Socket			All Drum & Traction Hoists	
701151-1	Safety Welding Ground	Grounds platform to work surface	<ul style="list-style-type: none"> Extensive labeling permanently attached to device makes installation goof-proof Large handle speeds magnet removal from work surface for faster relocation Kellums grips prevent clamp from accidentally detaching from platform 	All Platforms, Work Cages or Baskets	
9970	Hoist Cover – SC1000/SC1500	Protects hoist from airborne debris and contaminants	<ul style="list-style-type: none"> Easy installation and removal Viewing/access panels for emergency stop button and overspeed brake manual activation button Drawstring or Velcro closure 	SC1000/SC1500	
700784-1	Hoist Cover – ZMAC/1000®	Protects hoist from airborne debris and contaminants	<ul style="list-style-type: none"> Easy installation and removal Viewing/access panels for emergency stop button and overspeed brake manual activation button Drawstring or Velcro closure 	ZMAC/1000®	
94-001	Hoist Cover – SC30/SC40	Protects hoist from airborne debris and contaminants	<ul style="list-style-type: none"> Easy installation and removal Viewing/access panels for emergency stop button and overspeed brake manual activation button Drawstring or Velcro closure 	SC30/SC40	
SA-1036-3, -4, -5 and others	Wall Rollers	Hold platform or work cage off work surface	See Wall Roller Section for other options, page 83	All Drum & Traction Hoists	