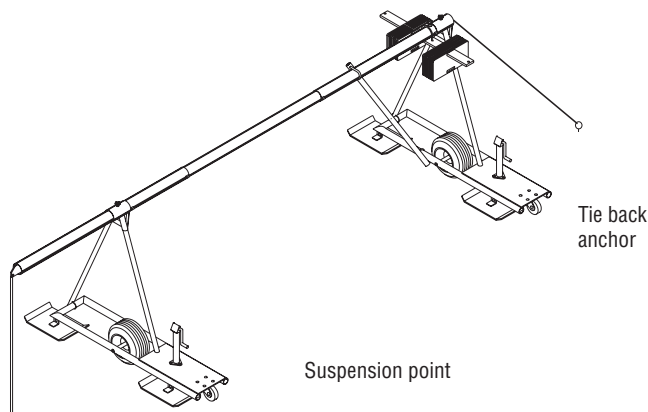


Aluminum Tube Outrigger (SA-3728)

Specifications:	SA-3728
Load/Capacity:	1,000 lb (453.6 kg)
Weight:	385 lb (174.6 kg)
Outreach:	14-55 in. (355-1,397 mm) in 2 in. (51 mm) increments
Construction:	Aluminum extrusion and steel



Key Features:

- Clears a 52 in. (1,320 mm) parapet; adjusts to lengths of 16, 19 and 22 ft (4.9, 5.8 and 6.7 m)
 - Large pneumatic tires roll easily on smooth and some uneven surfaces.*
 - For use on flat surfaces
 - Easy to transport and assemble
 - Extensive labels show step by step assembly instructions with photographs for goof-proof installation.
 - Counterweight chart label shows how many 50 lb. (22.7 kg) weights are required for your outreach – No guesses, no math
 - Beams can be used without rolling stanchions if properly braced. Contact your Spider professional for details.
 - Built by Spider in the USA
 - **Available in rental fleet only**
- * Some roof surfaces will need to be covered with plywood for roof protection and easy rolling.

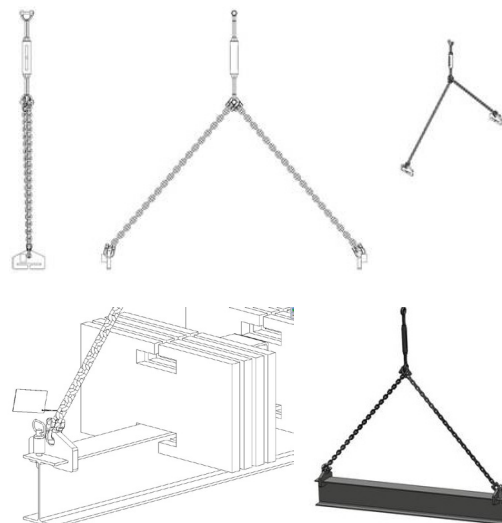
Counterweight Beam Sling (701878-1)

Save significant rigging time and effort by locating current counterweight bar 8-0285 on roof deck or structure. Weights slide easily onto counterweight bar eliminating the need to lift weight higher than waist level.

Key Features:

- Heavy duty steel construction
- No tools required for installation
- Turnbuckle included
- Thorough labeling ensures worry-free installation
- Use with 8-0285 counterweight bar, found in 8-0217 series 5 x 5 outrigger assemblies
- May reduce the number of counterweights needed when using OBSF A-11393 or Outrigger Gantries 701960-1 & 701960-2
- Built by Spider in the USA

Specifications:	701878-1
Load Rating:	2,500 lb (1,134 kg)
Weight:	16 lb (7.3 kg)



Install counterweights onto 8-0285 then slide sling onto ends of counterweight bar.

Final installation shown above, counterweights not shown.

8-0285 counterweight bar included in 8-0217-xx assembly.