

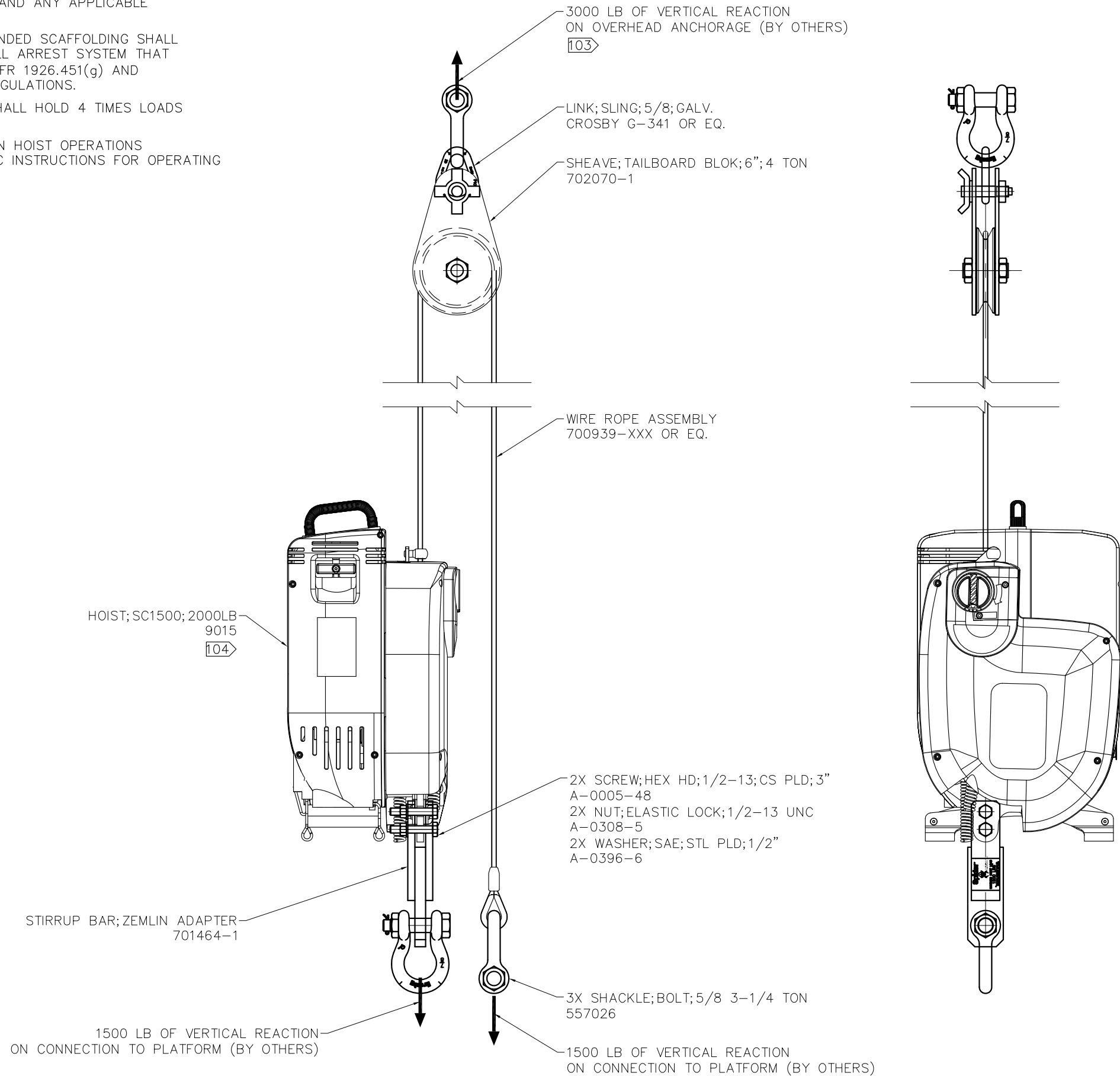
NOTES:


101. USE OF SUSPENDED SCAFFOLDING SHALL COMPLY WITH OSHA 29 CFR 1926.451(f) AND ANY APPLICABLE LOCAL REGULATIONS.

102. ALL PERSONNEL ON SUSPENDED SCAFFOLDING SHALL HAVE AN INDEPENDENT FALL ARREST SYSTEM THAT COMPLIES WITH OSHA 29 CFR 1926.451(g) AND ANY APPLICABLE LOCAL REGULATIONS.

103 SUPPORTING STRUCTURE SHALL HOLD 4 TIMES LOADS SHOWN WITHOUT FAILURE.

104 REFER TO SC1000 TRACTION HOIST OPERATIONS MANUAL 9961 FOR SPECIFIC INSTRUCTIONS FOR OPERATING THE SC1000 HOIST.



REV 1	ECO	BETA RELEASED	DATE 12-05-2013	BY TSM	CK JTA
 A Division of SafeWorks, LLC			MATERIAL: THIS DRAWING IS THE PROPERTY OF SAFEWORKS, LLC. AND IS NOT TO BE COPIED OR REPRODUCED WITHOUT THE WRITTEN CONSENT OF SAFEWORKS, LLC.		
365 UPLAND DRIVE SEATTLE, WASHINGTON 98188			TITLE 2-PART HOIST ROPE 3000 LB		
DRAWN BY TSM	DATE 12-05-2013	DRAWING NUMBER GA1036		1 OF 1	
ENG JTA	SCALE D 3"=1'-0"				