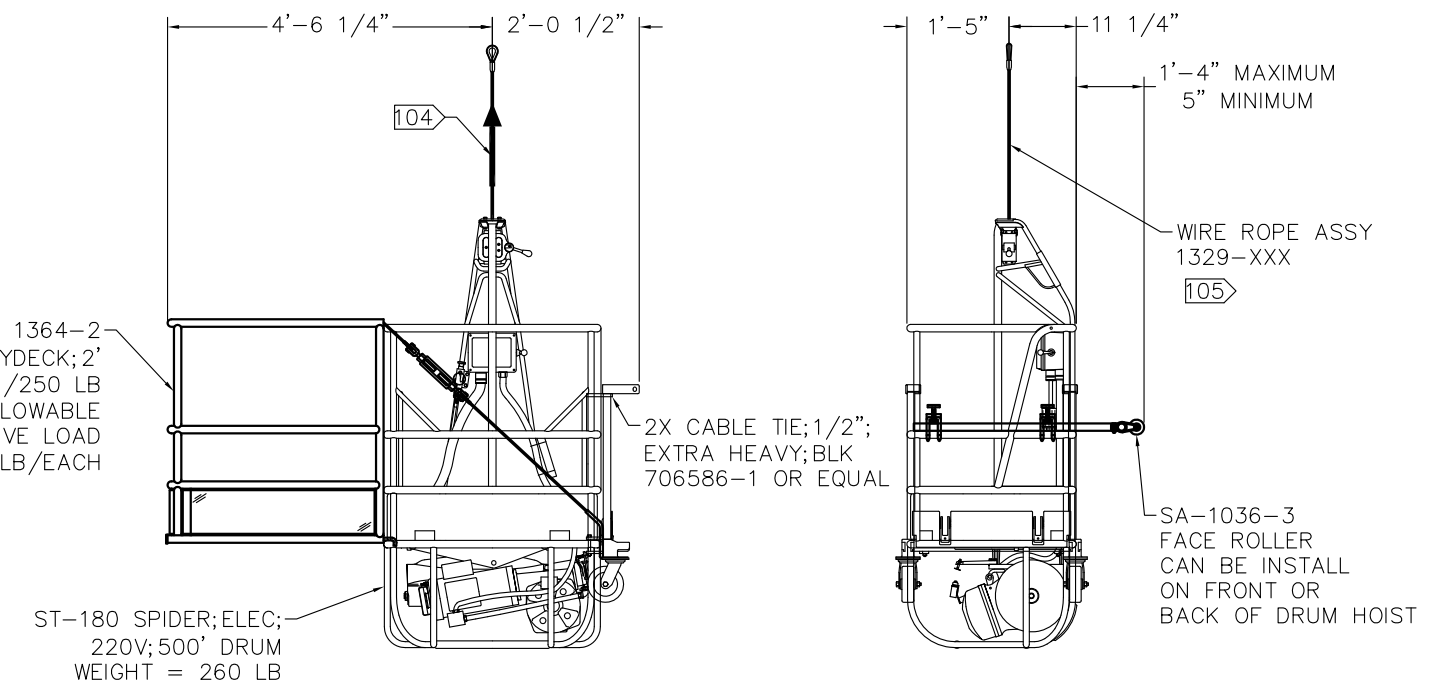
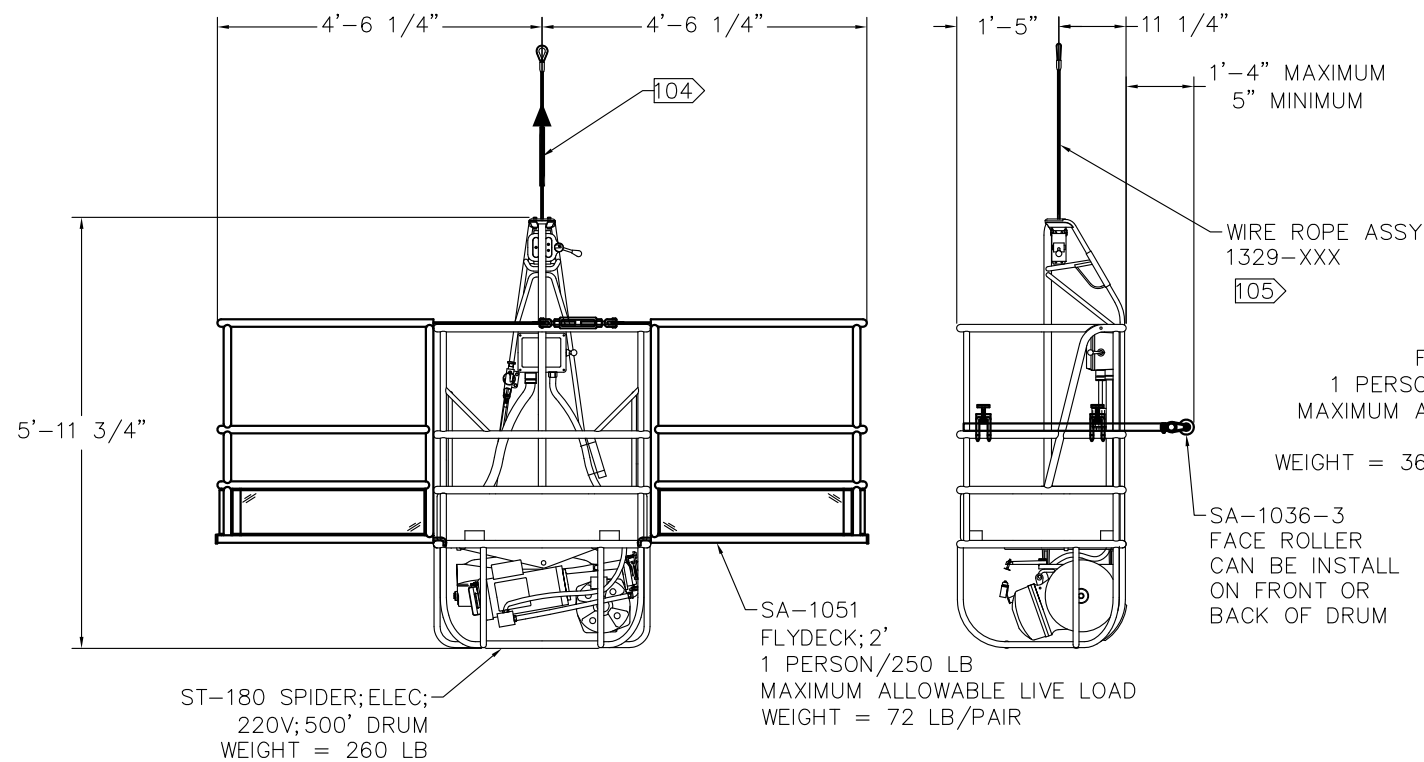
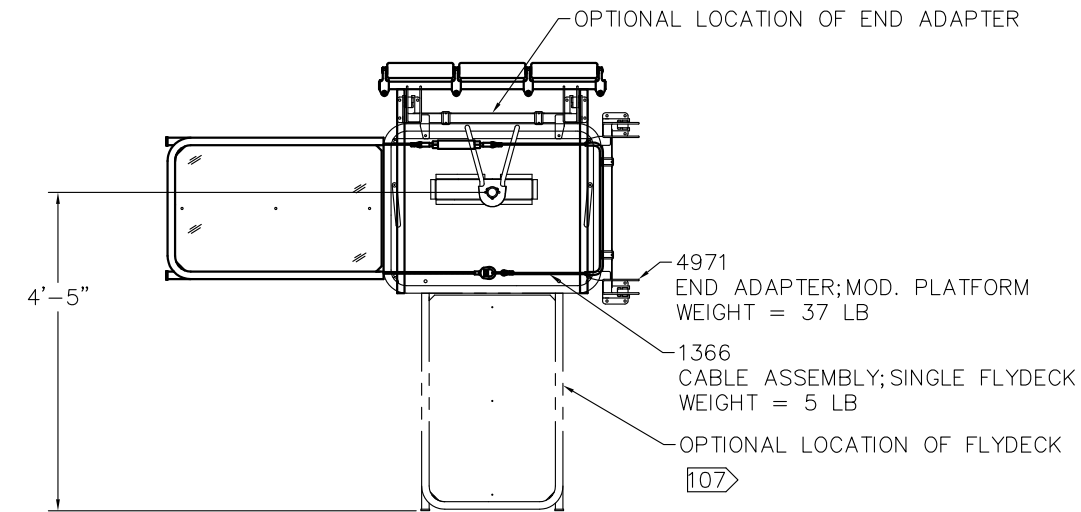
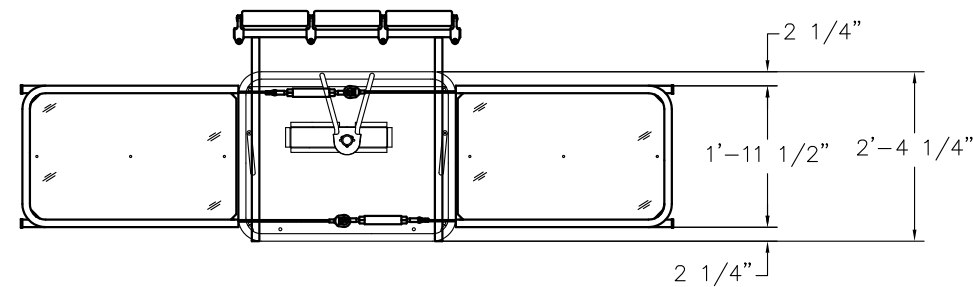


NOTES:

- 101. USE OF SUSPENDED SCAFFOLDING SHALL COMPLY WITH OSHA 29 CFR 1926.451(f) AND ANY APPLICABLE LOCAL REGULATIONS.
- 102. ALL PERSONNEL ON SUSPENDED SCAFFOLDING SHALL HAVE AN INDEPENDENT FALL ARREST SYSTEM THAT COMPLIES WITH OSHA 29 CFR 1926.451(g) AND ANY APPLICABLE LOCAL REGULATIONS.
- 103. SUPPORTING STRUCTURE MUST HOLD 5000 LB WITHOUT FAILURE.
- 104. REFER TO SPIDER STAGING OPERATOR'S MANUALS 4624-01 AND 400540 FOR SPECIFIC INSTRUCTIONS FOR OPERATING ST-180 DRUM HOISTS.

- 105. SEE GA-1029 FOR WIRE ROPE DETAILS AND WEIGHT.
- 106. LIVE LOAD CAPACITY IS EQUAL TO THE GROSS CAPACITY MINUS THE WEIGHT OF THE BASKET, WIRE ROPE, ACCESSORIES AND POWER CORD/AIR HOSE LOAD. ALLOWABLE NUMBER OF PERSONNEL SHALL BE CALCULATED AT 250 LB PER PERSON
- 107. ANY COMBINATION OF FLYDECKS CAN BE USED.
- 108. ST-180 220VAC 1φ 60HZ  
ST-180-4 208VAC 3φ 60HZ  
ST-180-10 210VAC 1φ 50HZ  
ST-180-14-460-60 460VAC 3φ 60HZ

106	MAXIMUM RATED GROSS CAPACITY
	1250 LB GROSS
	DO NOT EXCEED !!!



ST-180 BASKET WITH PAIR OF 3' FLYDECKS

ST-180 BASKET WITH SINGLE 3' FLYDECK

REV 1	ECO	BETA RELEASED	DATE 11-14-2013	BY TSM	CK JTA
<b>Spider</b> A Division of SafeWorks, LLC					
MATERIAL: THIS DRAWING IS THE PROPERTY OF SAFEWORKS, LLC. AND IS NOT TO BE COPIED OR REPRODUCED WITHOUT THE WRITTEN CONSENT OF SAFEWORKS, LLC.					
TITLE SPIDER ST-180 9" DRUM BASKET WITH 3' FLYDECK					
DRAWN BY TSM	DATE 5-17-13	DRAWING NUMBER GA1023			
ENG JTA	SCALE D 3/4":1'-0"	1 OF 1			