

NOTES:

101. USE OF SUSPENDED SCAFFOLDING MUST COMPLY WITH OSHA 29 CFR 1926.451(f) AND ANY APPLICABLE LOCAL REGULATIONS.

102. SUSPENDED SCAFFOLD RIGGING AND TIEBACKS MUST COMPLY WITH OSHA 29 CFR 1926.451(a) AND 1926.451(d) AND ANY APPLICABLE LOCAL REGULATIONS.

103. SUPPORTING STRUCTURE MUST HOLD LOADS SHOWN WITHOUT FAILURE. LOADS SHOWN WERE CALCULATED AT 4 TIMES HOIST RATED CAPACITY.

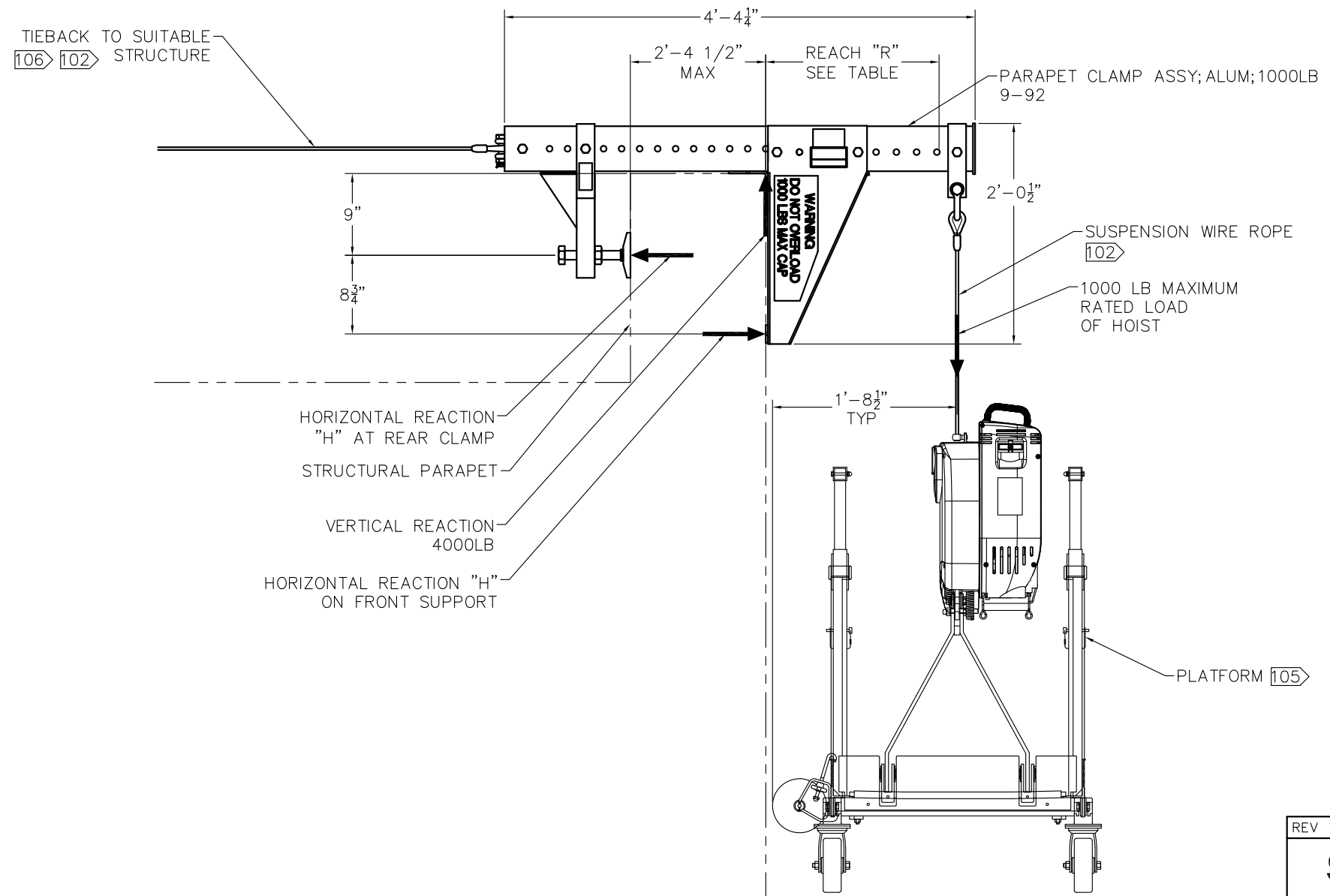
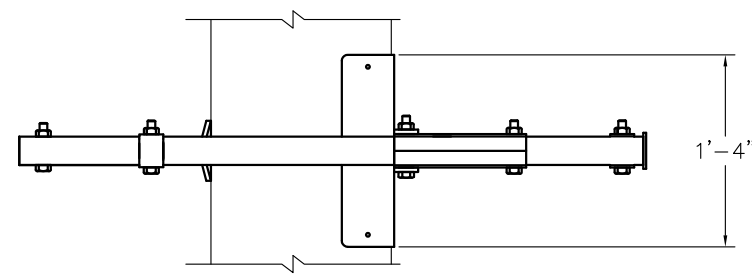
104. 45 LB APPROXIMATE WEIGHT


105. SEE DRAWINGS GA1001, GA1002 & GA1003 FOR DETAILS OF TYPICAL PLATFORM ASSEMBLES

106. TYPICAL TIEBACK DETAILS ON GA1014, GA1015 & GA1016 & GA1016

103

REACH	REACTION
R (FT-IN)	H (LB)
1'-2 1/4"	5600
1'-5 1/2"	8000
1'-8 3/4"	9490



REV 1	ECO	BETA RELEASED	DATE 4-19-2013	BY TSM	CK JTA
 A Division of SafeWorks, LLC 365 UPLAND DRIVE SEATTLE, WASHINGTON 98188		MATERIAL: -			
		THIS DRAWING IS THE PROPERTY OF SAFEWORKS, LLC. AND IS NOT TO BE COPIED OR REPRODUCED WITHOUT THE WRITTEN CONSENT OF SAFEWORKS, LLC.			
DRAWN BY TSM		DATE 4-11-2013		TITLE PARAPET CLAMP 9-92	
ENG JTA		SCALE D 1:8		DRAWING NUMBER GA1004	
				1 OF 1	